



YASA-750

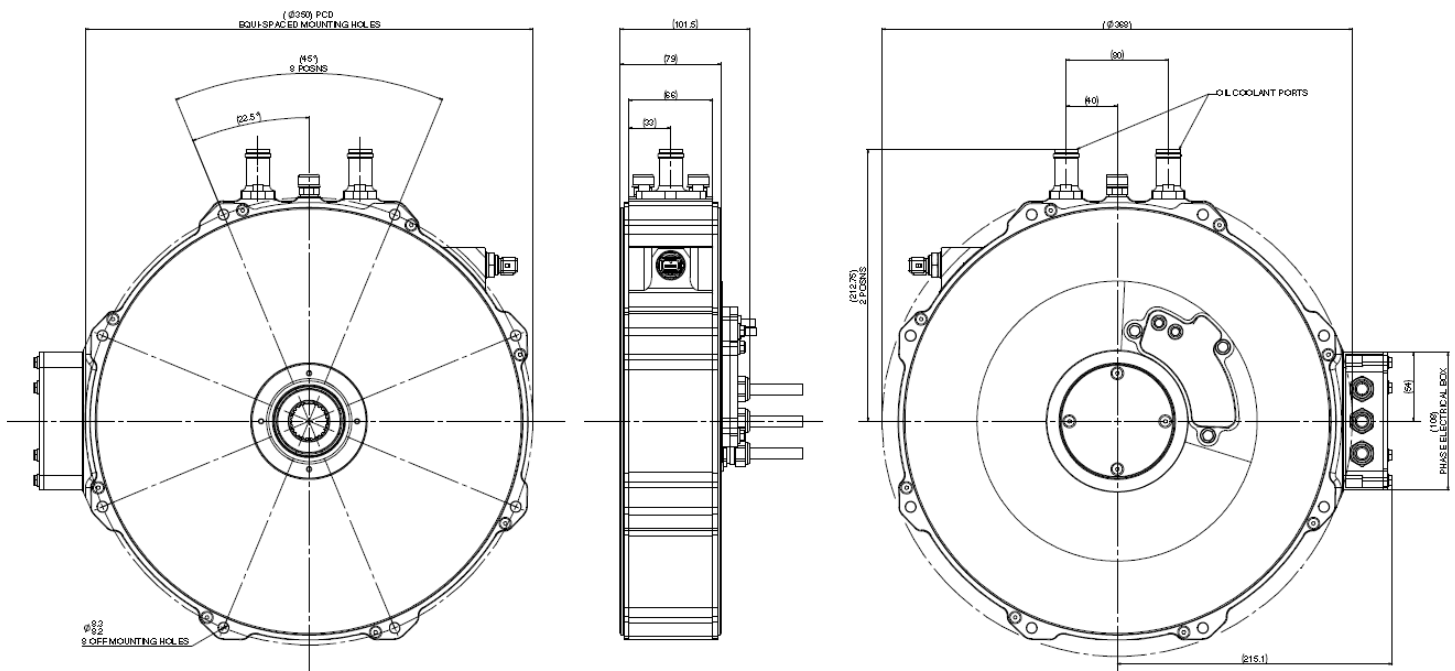
AXIAL FLUX ELECTRIC MOTOR

YASA® Motors is the industry leader in high power and torque dense, advanced axial flux electric motors and generators.

Due to the significant increase in torque and power density that YASA's proprietary motor technology makes available, YASA are changing the way many industries think about how to hybridise and electrify their applications. YASA motors are viewed by many as an application technology enabler.

The **YASA 750** was developed as a low-speed, high-torque motor with leading torque and power densities. This motor is used in numerous industries and applications.

The **YASA 750** offers 790Nm of peak torque, 200kW of peak power, and a speed range of 0-3250rpm all within an axial length of from just 66mm. These characteristics make the YASA-750 ideally suited to diesel power generation and direct drive traction applications.

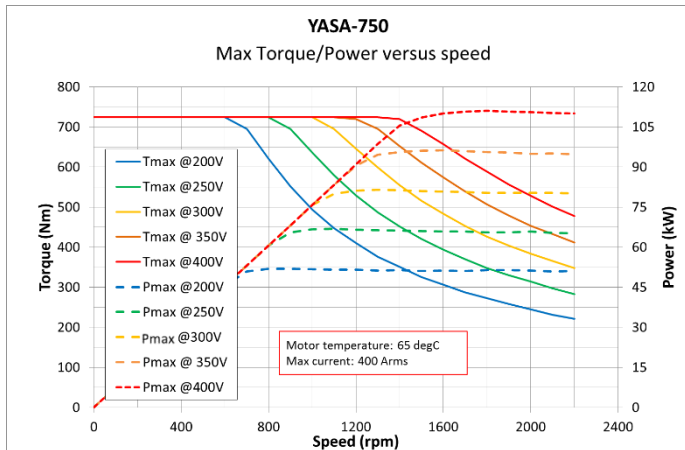


Specifications (see notes)

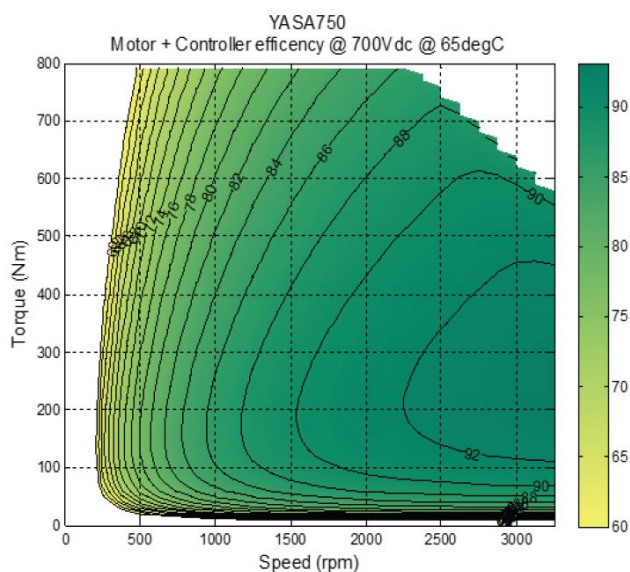
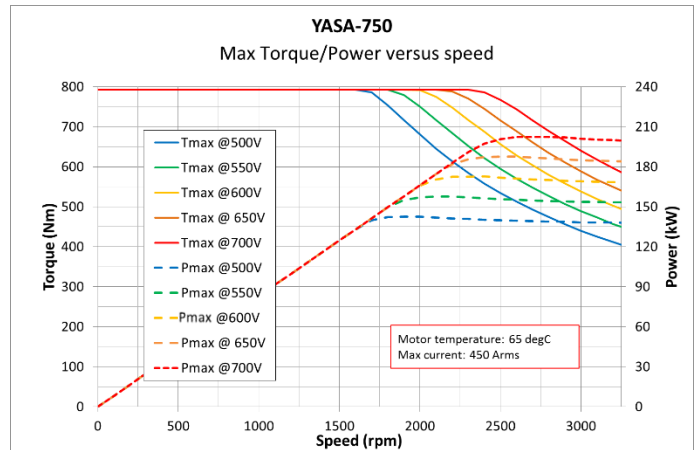
Peak torque @ 450 A _{RMS} @ 65°C	790 Nm
Continuous Torque	400 Nm
Peak Power @ 400 V _{DC} @ 65°C	100 kW
Peak Power @ 700 V _{DC} @ 65°C	200 kW
Continuous Power	50 to 90 kW
Speed	0 – 3250 rpm
Peak Efficiency	>95%
Weight	33kg

Electrical Performance

Performance with 400 Vdc & 400 Arms Controller



Performance with 800 Vdc & 450 Arms Controller



Specifications are based on test data with coolant at 65°C (inlet), 12 L/m and in a 30°C ambient. Actual performance will vary with drive cycle, cooling and installation details.

Please **contact us** to discuss your application requirements. We can then supply detailed information on the YASA products and options that may be suitable for you.

Best in Class Torque and Power Density